

## iTN8200 400G DWDM/OTN Platform

Raisecom iTN8200 is a new generation 400G DWDM/OTN intelligent transmission network platform, which adopts a standard 19 inch, 2U chassis, up to 8 service slots. The compact design improves the equipment integration and reduces the overall space occupied by the equipment.

This new 400G platform integrated with EDFA, ROADM, FOADM, OCM, OTDR, 100/200/400G transponder and muxponder, which meets the application needs of DCI (data center interconnect), Metro DWDM/OTN, cloud business and so on. It provides high-density interface access and up to 400G uplink bandwidth, meets the growing demand for bandwidth and services of the customers.

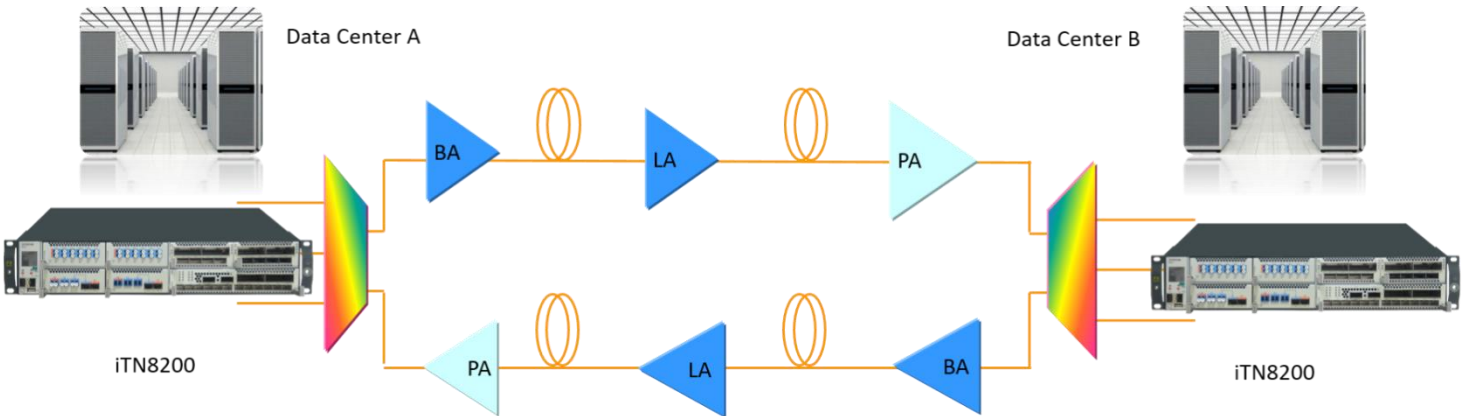


iTN8200

### Highlights

- Multiple services** Featured with 2 cores, WDM/OTN, among which services can be scheduled.
- Flexible chassis** 2U, 19-inch, suitable for 600mm deep cabinet installation
- High capacity** 8 small cards, or 4 large cards, up to 48/80\*/96 wavelengths DWDM, 400G per slot, 3.2T per chassis
- HMI** LCD, display the local IP, alarm, etc

### Typical Applications



**Figure.1 iTN8200 DCI application**

## Technical Specifications

<b>Chassis</b>	<ul style="list-style-type: none"> <li>iTN8200: 2U, 19", 8 small cards, or 4 large cards, 2 NMS card slots (1+1 redundancy), 2 power card slots (1+1 redundancy), 3 FANS card slot(2+1)</li> </ul>
<b>DWDM</b>	<ul style="list-style-type: none"> <li>Up to 48/96/80* wavelengths DWDM</li> </ul>
<b>Service capacity</b>	<ul style="list-style-type: none"> <li>400G per slot, 3.2T per chassis</li> </ul>
<b>Line-side optical module</b>	<ul style="list-style-type: none"> <li>100G CFP2 LR4/ER4/ZR4 OTU4</li> <li>100G CFP2 DCO</li> <li>200G CFP2 DCO</li> <li>400G CFP2 DCO</li> </ul>
<b>Client-side optical module</b>	<ul style="list-style-type: none"> <li>SFP+</li> <li>QSFP+</li> <li>QSFP28</li> <li>QSFPDD*(in roadmap)</li> </ul>
<b>Line</b>	<ul style="list-style-type: none"> <li>OTU4, OTUC2, OTUC4</li> </ul>
<b>Client</b>	<ul style="list-style-type: none"> <li>10GE/OTU2/STM64, 40GE, 100GE, OTU4, and 400GE*</li> </ul>
<b>Optical amplifier</b>	<ul style="list-style-type: none"> <li>EDFA, Booster amplifier, Line amplifier, Pre-amplifier, RAMAN*</li> </ul>
<b>Power Supply</b>	<ul style="list-style-type: none"> <li>Dual DC or dual AC</li> <li>DC: -48V, -40 to -72V</li> </ul>



	<ul style="list-style-type: none"> <li>● AC: 110V/220V, 100 to 220V</li> </ul>
Dimension W x D x H (mm)	<ul style="list-style-type: none"> <li>● 482.6 × 460 × 88.1 (with brackets)</li> <li>● 442 × 460 × 88.1 (without brackets)</li> </ul>
Environmental	<ul style="list-style-type: none"> <li>● Operating temperature (°C) (altitude: 0~1800 m): 0~40</li> <li>● Operating humidity: Long term: 5% – 85% RH (non-condensing, indoor)</li> </ul>
Overall power consumption	<ul style="list-style-type: none"> <li>● ≤750W</li> </ul>

## Ordering Information

Chassis	iTN8200-II-DC	iTN8200, 2U chassis,19", include 2 DC power cards, 3 FANS cards, 1 NMI card, and 1 NMI card.
	iTN8200-II-AC	iTN8200, 2U chassis,19", include 2 AC power cards, 3 FANS cards, 1 NMI card, and 1 NMI card.
NMS card	iTN8200-II-NTU	iTN8200 Management card, supports devices management, and 1+1 Hardware redundancy.
NMS interface card	iTN8200-II-NMI	iTN8200-NTU interface card. including 2 NM ports, and 2 MUX ports.
LCD monitor card	iTN8200-II-NUI	iTN8200 LCD monitor card, showing IP,Alarm,etc.
400G Transponder	iTN8200-II-TQ6S	400G transponder, 4x100G mux into 1x400G
	iTN8200-II-HS6S*	400G Transponder, 400GE to OTUC4(in roadmap)
200G Transponder	iTN8200-II-TQ5D	2*200G transponder, 4x100G mux into 2x200G or 2x100G mux into 2x100G.
	iTN8200-II-TQ5DR	200G Regenerator card, support OTUC2/OTU4 regenerator
200G Muxponder	iTN8200-II-TM5S	12x10G, 2x100G/40G on downlink, 1x200G or 2x100G on uplink
	iTN8200-II-XT5S	20 x 10G on downlink, and 1 x 200G on uplink.
EDFA/RAMAN cards <sup>1</sup> (please check Note 1 for the spec)	iTN8200-II-OA25	BA+PA1
	iTN8200-II-OA35	BA+PA2
	iTN8200-II-OLA25	LA1+LA1
	iTN8200-II-OLA35A	LA2+LA2
	iTN8200-II-OLA35B	LA1+LA2
	iTN8200-11-EOA-F12*	9-15dB FGA with VOA, maximum output power is 20dBm. (in roadmap)
	iTN8200-11-EOA-F17*	14-20dB FGA with VOA, maximum output power is 20dBm. (in roadmap)
	iTN8200-11-EOA-F22*	19-25dB FGA with VOA, maximum output power is 20dBm. (in roadmap)
	iTN8200-II-EOA-V18*	8-18dB VGA, maximum output power is 21dBm. (in roadmap)
	iTN8200-II-EOA-V25*	15-25dB VGA with VOA, maximum output power is 21dBm. (in roadmap)
	iTN8200-II-EOA-V35*	22-35dB VGA with VOA, maximum output power is 21dBm. (in roadmap)
	iTN8200-II-RFA*	14dB RAMAN Amplifier card (in roadmap)
Optical Line Protection card	iTN8200-II-OP1	1 channel Optical Line Protection card
	iTN8200-II-OP2	2 channel Optical Line Protection card

### International Headquarters

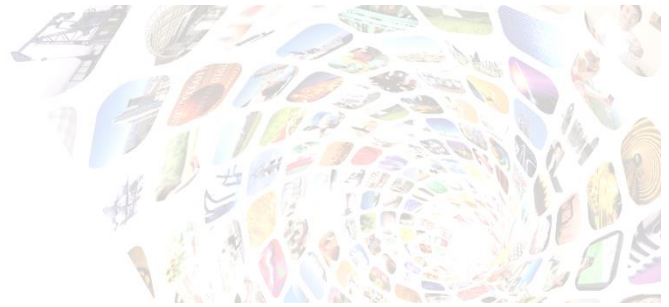
Raisecom Building, East-11, No.10 Xibeiwang East Road,  
Haidian District, Beijing, P.R.China, 100193  
Tel: +86 10 8288 3305  
Fax: +86 10 8288 3056  
[www.raisecom.com](http://www.raisecom.com)

### U.S.A. Headquarters

Address: 6380 N Eldridge Parkway, Houston,  
Texas 77041 USA  
Tel: 1-888-816-4808  
Email: [sales@raisecominc.com](mailto:sales@raisecominc.com)

### Raisecom Technology Co., Ltd.

Copyright@1999-2023  
All rights reserved  
Technical information is subjected to  
change without notice



ROADM card	iTN8200-II-TWS090A25	9 channel WSS ROADM, integrated with BA,PA1,VOA.
	iTN8200-II-TWS090A35	9 channel WSS ROADM, integrated with BA,PA2,VOA.
	iTN8200-II-TWS09*	9-dimensional WSS ROADM card(in roadmap)
FOADM card	iTN8200-II-TFF	4 channel FOADM, integrated with VOA
Optical channel monitor card	iTN8200-II-OCM	8 channel optical channel monitoring card.
OTDR card	iTN8200-II-OTDR	8 channel OTDR card
OSC card	iTN8200-II-FDU*	2 channel OSC card(in roadmap)
VOA card	iTN8200-II-VOA*	8 channel VOA card(in roadmap)
DWDM MUX/DEMUX	iTN8200-II-MUX48	48 channel DWDM MUX+DEMUX, 1U, 19-inch, 100GHz, C band
	iTN8200-II-MUX96	96 channel DWDM MUX+DEMUX, 1U, 19-inch, 50GHz, C band
	iTN8200-II-MUX80*	80 Channel DWDM MUX+DEMUX, 1U, 19-inch, 75GHz(in roadmap)

Note 1:

Spec for EDFA Module				
	Gain	Max output power for single channel	Max output power	Input optical power range
BA	8~18dB	+4dBm	21dBm	-18~+13dBm
PA1	15~25dB	+4dBm	21dBm	-28~+6dBm
PA2	22~35dB	+4dBm	21dBm	-35~+6dBm
LA1	15~25dB	+4dBm	21dBm	-28~+6dBm
LA2	22~35dB	+4dBm	21dBm	-35~+6dBm

Note 2:

Item	P/N	Max power consumption(W)
1	iTN8200-II-DC	1300 (overall)



2	iTN8200-TWS090A35	65
3	iTN8200-II-OA35	28
4	iTN8200-XT5S	96
5	iTN8200-XT5S	120
6	iTN8200-TQ5D	75.6
7	iTN8200-TQ6S	72.3
8	UC2-200G/DCO-E	25
9	UQP-100G/LR4	4

Note 3:

Item	P/N	Weight(kg)
1	iTN8200-II-DC	14.5
2	iTN8200-II-AC	14.3
3	iTN8200-II-NTU	0.3
4	iTN8200-II-NMI	0.3
5	iTN8200-II-NUI	0.3
6	iTN8200-XT5S	1.6
7	iTN8200-TM5S	1.6
8	iTN8200-TQ6S	1.0
9	iTN8600-TQ5D	1.0
10	iTN8200-II-AC	1.0
11	iTN8200-II-DC	1.1
12	iTN8200-II-FAN	1.0
13	iTN8200-II chassis	9.3

**International Headquarters**

Raisecom Building, East-11, No.10 Xibeiwang East Road,  
Haidian District, Beijing, P.R.China, 100193  
Tel: +86 10 8288 3305  
Fax: +86 10 8288 3056  
[www.raisecom.com](http://www.raisecom.com)

**U.S.A. Headquarters**

Address: 6380 N Eldridge Parkway, Houston,  
Texas 77041 USA  
Tel: 1-888-816-4808  
Email: [sales@raisecominc.com](mailto:sales@raisecominc.com)

**Raisecom Technology Co., Ltd.**

Copyright@1999-2023  
All rights reserved  
Technical information is subjected to  
change without notice