



# ISCOM GPON SFU Home Terminal

## ▼ Introduction

ISCOMHT803G-1GE/803G is a next generation GPON terminal designed for FTTH . It provides one or four GE interfaces over GPON, which can be used for residential services, providing high speed internet, STB connections (for triple play services), or for business service connectivity. Raisecom GPON SFU, designed as a small size, light box with low power consumption, facilitates operator's devices installation and network deployments.



**ISCOM HT803G-1GE**



**ISCOM HT803G**

## ▼ Highlight

- Green design with a small size and low power consumption
- Works opposite Raisecom OLT's or any 3<sup>rd</sup> party OLT
- RAISECOM SFU portfolio complies with ITU-T 984/988 standards, with rich IOP with FTTH equipment from leading OLT vendors
- Provide end users with higher bandwidth next-gen services.
- Fast operator ROI

### International Headquarters

Raisecom Building, No. 11, East Area, No. 10 Block, East Xibeiwang Road, Haidian District, Beijing, 100085, China  
Tel: +86 10 8288 3305  
Fax: +86 10 8288 3056  
Email: [export@raisecom.com](mailto:export@raisecom.com)

### U.S.A. Headquarters

19337 US 19 North, Suite 306  
Clearwater, Florida. 33764. USA.  
Tel: +1 888 816 4808  
Fax: +1 727 547 9124  
Email: [sales@raisecomusa.com](mailto:sales@raisecomusa.com)

Copyright ©1999- 2017

All rights reserved

Technical information is subjected to change without notice



▼ Specifications

HGU Specifications	HT803G	HT803G-1G
Dimensions (mm) (H*W*D)	140*105*33	108*88*31
Power Consumption (W) (Max.)	5	3
Weight (Kg)	0.3	0.2
XPON	GPON	GPON
GE (10/100/1000 BT)	4	1

**GPON**

- ITU-T G.984.x (1, 2, 3, and 4) and G.988.
- 8 T-CONTs and 32 GEMs.
- Multiple authentication modes, such as SN, password, and LOID.
- AES-128 encryption.
- Rate: Uplink: 1.25 Gbit/s, Downlink: 2.5 Gbit/s
- Transmission distances ≤ 20 km
- Interface type: SC/PC
- Central wavelength:  
Tx: 1310 nm; Rx: 1490 nm

**Ethernet**

- 10/100 Mbit/s auto-negotiation and 1000 Mbit/s full duplex and flow control.
- Statistics features of unicast packets, multicast packets, and broadcast packets on the interface.

**Multicast**

- IGMP v2/v3 Snooping.
- Multicast VLANs.
- Multicast immediate leave

**MAC Address**

- MAC addressing learning and aging

**Loop detection**

Support shutting down an interface and sending a link down trap when a loop occurs on the interface.  
Support restoring an interface and sending a link up trap when a loop is eliminated on the interface

**VLAN**

- VLAN tagging/untagging
- IEEE 802.1Q,
- VLAN Stacking (QinQ)

International Headquarters

Raisecom Building, No. 11, East Area, No. 10 Block, East Xibeiwang Road, Haidian District, Beijing, 100085, China  
Tel: +86 10 8288 3305  
Fax: +86 10 8288 3056  
Email: export@raisecom.com

U.S.A. Headquarters

19337 US 19 North, Suite 306 Clearwater, Florida. 33764. USA.  
Tel: +1 888 816 4808  
Fax: +1 727 547 9124  
Email: sales@raisecomusa.com

Copyright ©1999- 2017

All rights reserved  
Technical information is subjected to change without notice



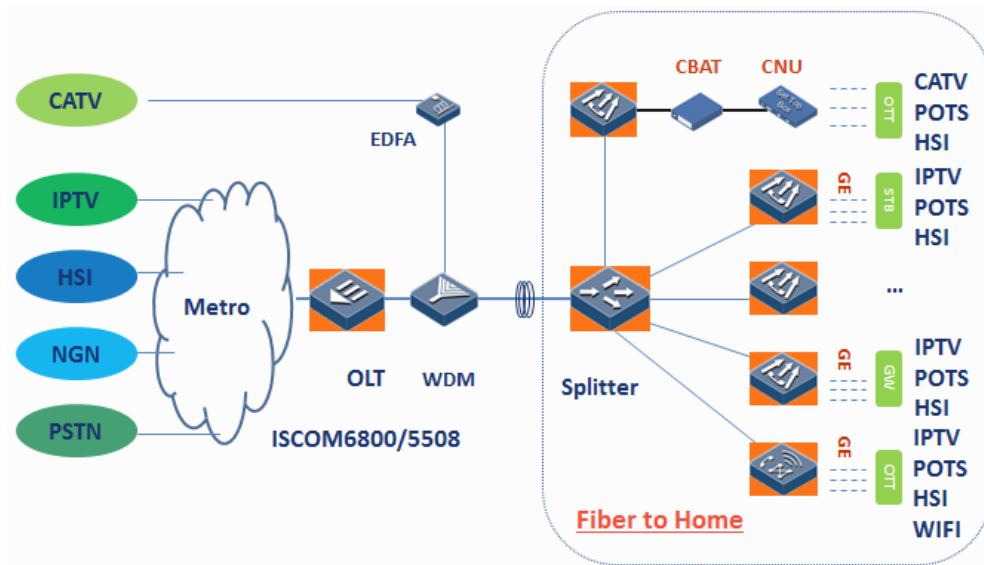
**OAM**

- OMCI complying with ITU-T G.984/G.988
- OMCI, OLT management and Web management. Support interface Up/Down alarms, and power failure alarm.
- Support configuring and querying thresholds of optical module parameters.

**QoS/ACL**

- Classifying Layer 2 traffic by fields (such as the destination MAC, source MAC, VLAN ID, and CoS).
- Classifying Layer 3 traffic by fields (destination IP, source IP, and IP protocol).
- Traffic classification based on QoS or ACL.
- SP, WRR, or WDRR queue scheduling.

▼ Typical application



- Accelerating the FTTH network deployments.
- Raisecom end to end solutions by ISCOM OLT and ONUs.
- Configuration offline and plug and play, thus speeding up service provision.
- Various ways for faults location (fiber breakage, power failure, and loops).
- Good user experience and price competitive

International Headquarters

Raisecom Building, No. 11, East Area, No. 10 Block, East Xibeiwang Road, Haidian District, Beijing, 100085, China  
Tel: +86 10 8288 3305  
Fax: +86 10 8288 3056  
Email: export@raisecom.com

U.S.A. Headquarters

19337 US 19 North, Suite 306 Clearwater, Florida. 33764. USA.  
Tel: +1 888 816 4808  
Fax: +1 727 547 9124  
Email: sales@raisecomusa.com

Copyright ©1999- 2017

All rights reserved  
Technical information is subjected to change without notice



## Ordering information

Model	Version	Description
ISCOM HT803G	T	GPON uplink, 4 GE interface, plastic-shell SFU, American power adapter
ISCOM HT803G-1GE	T	GPON uplink, single GE interface, plastic-shell SFU, European power adapter

- ◆ The ONT's can be ordered with : European, American, UK and Brazilian adaptor

### International Headquarters

Raisecom Building, No. 11, East Area, No. 10 Block, East Xibeiwang Road, Haidian District, Beijing, 100085, China  
Tel: +86 10 8288 3305  
Fax: +86 10 8288 3056  
Email: [export@raisecom.com](mailto:export@raisecom.com)

### U.S.A. Headquarters

19337 US 19 North, Suite 306  
Clearwater, Florida. 33764. USA.  
Tel: +1 888 816 4808  
Fax: +1 727 547 9124  
Email: [sales@raisecomusa.com](mailto:sales@raisecomusa.com)

Copyright ©1999- 2017

All rights reserved

Technical information is subjected to change without notice