



iTN8600-I-XT4D Dual 100G Hybrid OTN Transponder/Muxponder

Raisecom iTN8600-I 100G OTN Transponder/Muxponder is high density 1U height dual 100G OTN hybrid Transponder/Muxponder.

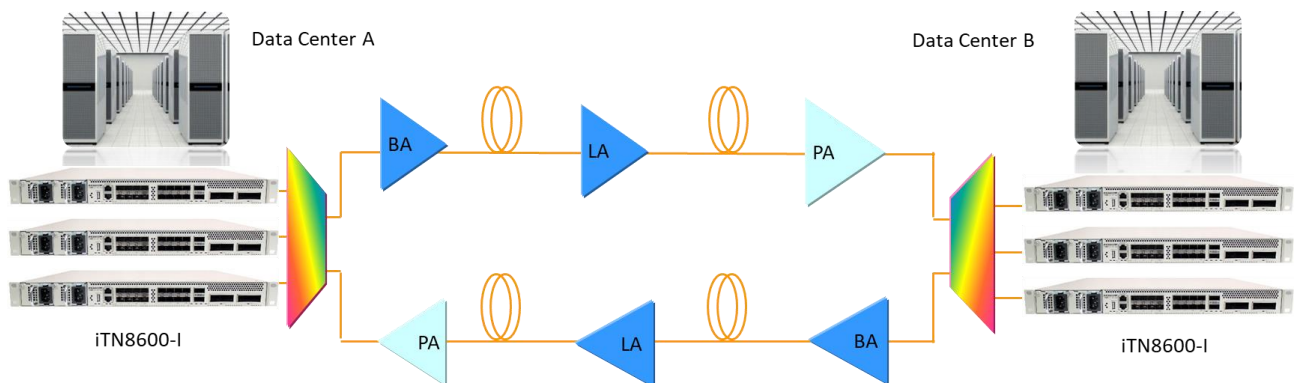
On line side, it can be 1×200G or 2×100G, CFP2 type. On client side, it can be 20×10G or 2×100G ports, SFP and QSFP28 type.

With the brand new hybrid dual core technologies, this unit has successfully included 16 applications by 3 modes of Transponder only, 10 modes of Muxponder only, and additional 3 modes of mixed Transponder/Muxponder. iTN8600-I can be easily configured to 16 applications by software, and the network architecture designer could easily change the network topology after purchasing the unit. The unit provide you full rich brainstorm options on building and extending your 100G networks. It is fully compliant with ITU-T recommendations, such as ITU-T G709, G.798 etc. With OTN standard GCC management, this unit has remote management ability. It is suitable for Data Center Interconnection, Metro 100G Access, and Metro Aggregation Optical Transport Networks. Dual 100G capacity may not increase your cost a lot comparing with a single 100G unit. With the mixed mode, for example 1x 100G Transponder plus 10x10G to 100G Muxponder in one unit, you are having two applications which equals 2 different units in the past age.



iTN8600-I-XT4D

Application >>



Scenario 1 -100G Data Center Interconnection solution

International Headquarters

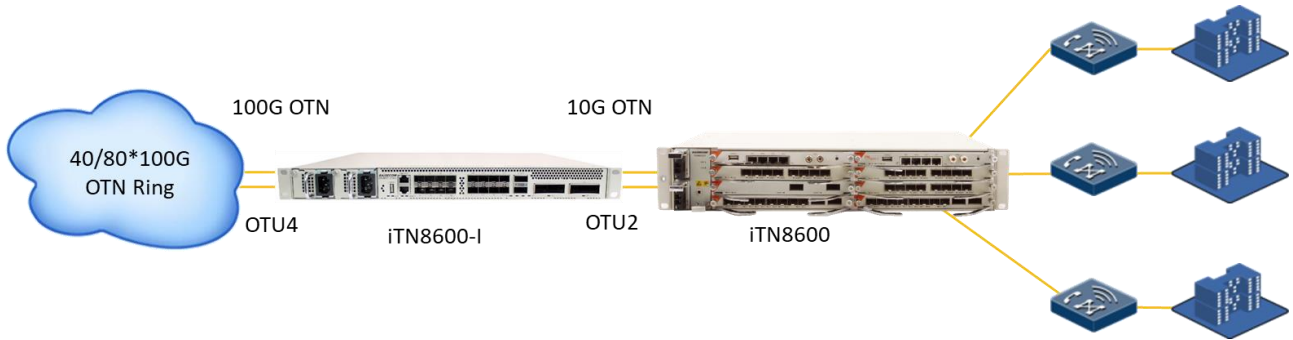
East-11, Raisecom Building, No.10 Xibeiwang East Road,
Haidian District, Beijing. 100094, China
Tel: +86 10 8288 3305
Fax: +86 10 8288 3056
www.raisecom.com

U.S.A. Headquarters

Address: 3031 N. Rocky Point Drive West
Suite 100 Tampa, Florida 33607 USA
Tel: 1-888-816-4808
Email: sales@raisecominc.com

Raisecom Technology Co., Ltd.

Copyright@1999-2019
All rights reserved
Technical information is subjected to
change without notice



Scenario 2-Metro 100G Access solution

Highlights>>

- High Density, 200G capacity in 1RU size
- Pluggable Power Module, Fan Module
- Dual redundancy Power supply
- AC, DC Power supported
- Flexible configuration for Transponder and Muxponder
- Cost-effective

Features>>

Features	Description
System Interface	2*CFP2 based 100G port (Coherent DCO CFP2-- Acacia , 4x25G DWDM CFP2, Grey CFP2)
Client Interface	100G:2*QSFP28 based 100G ports (100GE, OTU4) 40G:2*QSFP28(40GE,16G-FC,32G-FC, 25G eCPRI,4x10G) 10G:16*SFP+(10GE LAN/WAN, STM-64/OC-192, FC8G, OTU2, OTU2e, FC16G)
Application (16 applications in total)	<p>1.100G MUXPONDER:200G Coherent</p> <ul style="list-style-type: none"> ➢ 10x10G Any -> 2x OTU4, OCH 1+1/SNCP Protection ➢ 20x10G Any -> 2x OTU4, OLP 1+1 Only ➢ 2 x40G Any -> 2x OTU4, OCH 1+1/SNCP Protection ➢ 6x 16G or 3*32G FC -> 2x OTU4, OCH 1+1/SNCP Protection ➢ 6x32G FC -> 2x OTU4, OLP 1+1 Protection ➢ 4 x 25G eCPRI -> 2x OTU4, OCH 1+1/SNCP Protection <p>2.100G Transponder</p> <ul style="list-style-type: none"> ➢ 1x100G Any -> 2x OTU4, OCH 1+1/SNCP Protection ➢ 2x100G Any -> 2x OTU4, OLP 1+1 Protection Only <p>3.Mixed Mode: OLP 1+1 Protection Only</p> <ul style="list-style-type: none"> ➢ 10x10G Any + 1x100G Any -> 2x OTU4

International Headquarters

East-11, Raisecom Building, No.10 Xibeiwang East Road,
Haidian District, Beijing. 100094, China
Tel: +86 10 8288 3305
Fax: +86 10 8288 3056
www.raisecom.com

U.S.A. Headquarters

Address: 3031 N. Rocky Point Drive West
Suite 100 Tampa, Florida 33607 USA
Tel: 1-888-816-4808
Email: sales@raisecominc.com

Raisecom Technology Co., Ltd.

Copyright@1999-2019
All rights reserved
Technical information is subjected to
change without notice



	<ul style="list-style-type: none"> ➤ 12×10G Any + 2×40G Any -> 2× OTU4 ➤ 16 ×10G Any + 1×40G Any -> 2× OTU4
	<p>4. 200G MUXPONDER:200G Coherent , OLP 1+1 Protection Only</p> <ul style="list-style-type: none"> ➤ 20×10G Any -> 200G (2× OTU4) ➤ 10×10G Any + 1×100G Any -> 200G (2× OTU4) ➤ 10×10G Any + 2×40G Any -> 200G (2× OTU4) ➤ 16×10G Any + 1×40G Any -> 200G (2× OTU4)
	<p>5.10G Transponder:</p> <ul style="list-style-type: none"> ➤ 10×10G Any -> 10×10G OTU2OCH 1+1/SNCP Protection
Power Supply	<p>AC: 100VAC to 240VAC, 47–63Hz</p> <p>DC: -40VDC to -72VDC</p>
Power Consumption	<p>250W with 2×Coherent CFP2</p> <p>220W with 2×Grey CFP2</p>
Dimensions(mm) (W*D*H)	<p>440mm*350mm*44mm (19-inch,1RU)</p>

Ordering information>>

iTN8600-I-XT4D-AC/D Dual 100G OTN Hybrid Transponder/Muxponder, Dual AC power supply.

iTN8600-I-XT4D-DC/D Dual 100G OTN Hybrid Transponder/Muxponder, Dual DC power supply.

International Headquarters

East-11, Raisecom Building, No.10 Xibeiwang East Road,
Haidian District, Beijing. 100094, China
Tel: +86 10 8288 3305
Fax: +86 10 8288 3056
www.raisecom.com

U.S.A. Headquarters

Address: 3031 N. Rocky Point Drive West
Suite 100 Tampa, Florida 33607 USA
Tel: 1-888-816-4808
Email: sales@raisecominc.com

Raisecom Technology Co., Ltd.

Copyright@1999-2019
All rights reserved
Technical information is subjected to
change without notice