



ISCOM2600G series switch

The ISCOM2600G is a Layer 2 Gigabit Ethernet switch developed by Raisecom, including the ISCOM2608G-2GE (8GE+2Combo), ISCOM2624G-4GE (24GE+4Combo), ISCOM2648G-4C (48GE+4*10G SFP+), and ISCOM2648G-4GE (48GE+4Combo). With various interfaces, the ISCOM2600G provides users with multiple choices.

The ISCOM2600G, with advanced switching structure, supports static route and seamless connection with Layer 3 routing devices. With flexible networking modes, high reliability and easy maintenance, individualized QoS, various security guarantees, and advanced system management, it can fully meet the requirements of all network carriers. It is applicable to enterprises, campuses, residences, and CPN.



ISCOM2600G

Highlights >>

High capacity, high density

1U standard chassis, easy to be installed on the cabinet, saving room, with a switching capacity of 176 Gbit/s
Downlink interfaces: forty-eight 10/100/1000 Base-T electrical interfaces
Uplink interfaces: four 1000 Mbit/s Combo interfaces or four 10 Gbit/s SFP+ interfaces

High reliability

Support STP, RSTP, MSTP, and multi-RSTP.
Support LACP and MLACP.
Support ITU-T G.8032 and the fault switching time less than 50ms (the fault detection can be based on physical link) and support CFM inspection based on hardware.
Support dual-system and dual-configuration-file redundancy backup.

Various security guarantees

Support IEEE 802.1x ACL based on interface and MAC modes and support various AAA mode such as RADIUS, TACACS+.
Support port secure MAC and limits on the MAC addresses to stop attacks from illegal users.
Support various ACL policies to control packet forwarding flexibly.
Support DHCPv4/v6 Snooping and Option 82/18/37 to avoid DHCP attacks.
Support DAI and IP Source Guard based on the DHCP binding table to prevent ARP flooding attacks and IP attacks.
Support broadcast storm and loop detection to ensure the stability of the network.
Support lightning protection for the power supply and all the Ethernet electric interfaces and protect hardware investment of the customer.

Individualized QoS

Support complex traffic classification.
Support classifying traffic according to the custom fields in the packet.
Support rich scheduling policy such as SP/WRR/SP+WRR/DRR/SP+DRR.
Support dual-bucket three-color CAR based on the traffic and H-CAR.
Support statistics based on traffic.

IPv6 Ready

Meet the requirement of IPv6 networking and support IPv6 remote management through Telnet, HTTP or SNMP.
Support IPv6 ACL, DHCPv6 Snooping, RA Snooping and Option 18/37 to ensure the network security.

International Headquarters

East-11, Raisecom Building, No.10 Xibeiwang East Road,
Haidian District, Beijing. 100094, China
Tel: +86 10 8288 3305
Fax: +86 10 8288 3056
www.raisecom.com

U.S.A. Headquarters

3031 north Rocky point Drive West Harborview
Building, Suite 100 Tampa Florida. 33607. USA.
Tel: +1 888 816 4808 ext 201
Fax: +1 727 547 9124
Email: ussales@raisecomusa.com

Raisecom Technology Co., Ltd.

Copyright@1999-2014
All rights reserved
Technical information is subjected to
change without notice



Support MLD Snooping to ensure the IPv6 multicast monitoring.

Full suite OAM & SLA

Support point-to-point IEEE802.3ah link monitoring.

Support end-to-end hardware IEEE802.1ag to implement 3.3ms CC monitoring.

Support rich SLA, Y.1731 and support monitoring the network performance of the L2/L3 data flow.

Advanced management system

Support SNMP, RMON, Telnet, SSH and provide friendly WEB management interface to increase the usability of the device.

Support automatic configuration and loading. The administrator can put the configuration file set in advance to the TFTP server for the automatic loading of the switch while it is booting, thus simplifying the management and maintenance.

Application >>

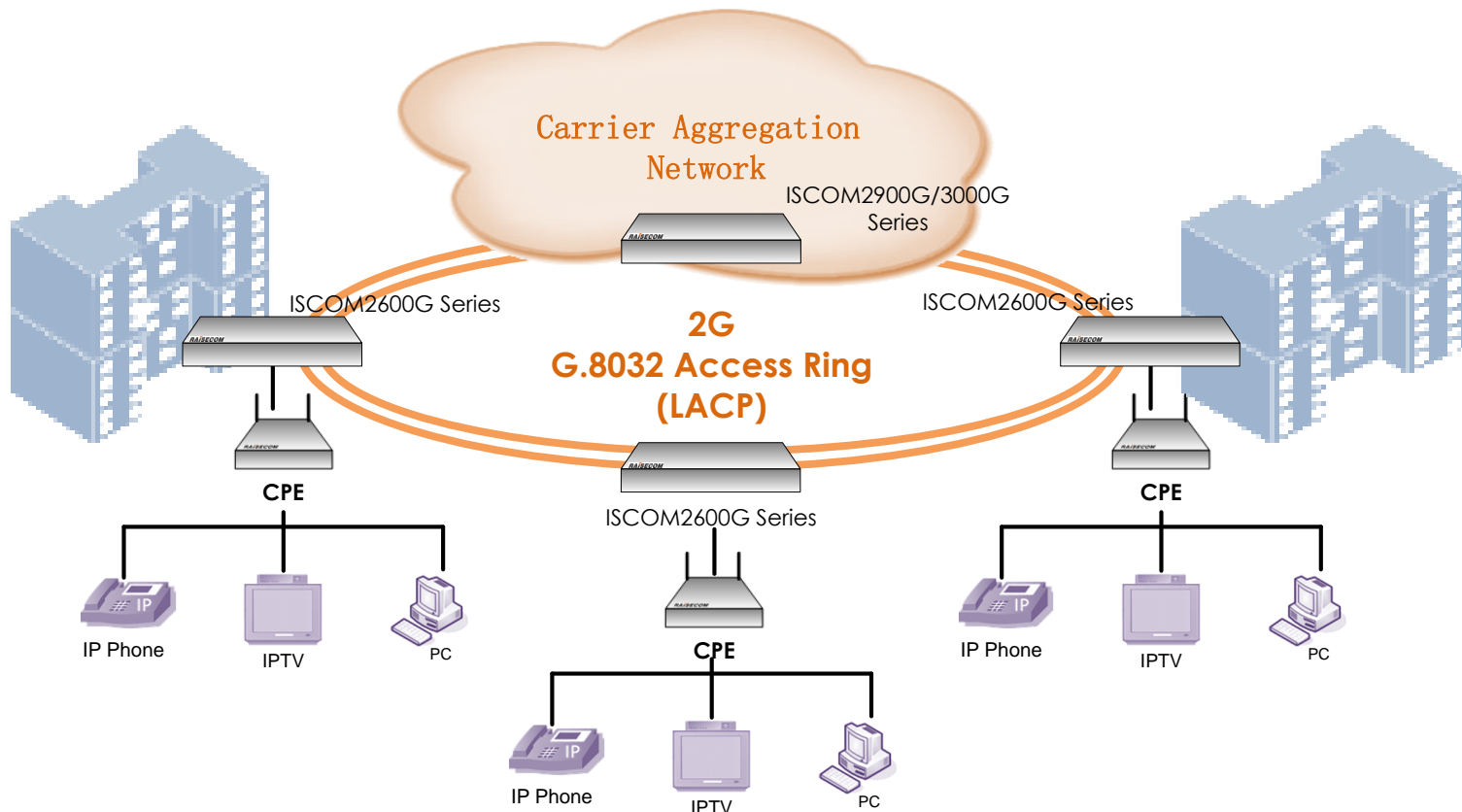


Figure.1 Application of the Gigabit access ring in the FTTx scenario

International Headquarters

East-11, Raisecom Building, No.10 Xibeiwang East Road,
Haidian District, Beijing. 100094, China

Tel: +86 10 8288 3305

Fax: +86 10 8288 3056

www.raisecom.com

U.S.A. Headquarters

3031 north Rocky point Drive West Harborview
Building, Suite 100 Tampa Florida. 33607. USA.

Tel: +1 888 816 4808 ext 201

Fax: +1 727 547 9124

Email: ussales@raisecomusa.com

Raisecom Technology Co., Ltd.

Copyright@1999-2014

All rights reserved

Technical information is subjected to
change without notice



Key Features >>

Device	ISCOM2608G-2GE	ISCOM264G-4GE	ISCOM2624G-4C	ISCOM2648G-4GE	ISCOM2648G-4C
Port type	Uplink: 2xGE Combo Downlink: 8xGE RJ45	Uplink: 4xGE Combo Downlink: 24xGE RJ45	Uplink: 4x10G SFP+ Downlink: 24xGE RJ45	Uplink: 4xGE Combo Downlink: 48xGE RJ45	Uplink: 4x10G SFP+ Downlink: 48xGE RJ45
Management interface	1 SNMP interface, 1 Console interface, 1 out-of-band interface				
Switching capacity (Gbit/s)	20	56	128	104	176
Packet forwarding rate (Mpps)	14.88	41.66	95.23	77.38	130.94
Dimensions (mm)	320 × 200 × 43.6	440 × 220 × 43.6		440 × 300 × 43.6	
Weight (kg)	2.2	< 2.6		< 4.3	
Power consumption (W)	< 20	< 25		< 45	
Voltage range	100–240 VAC, -32 to -72 VDC				
Hardware	<ul style="list-style-type: none"> ● Single power, fan-free (except the device with 48 interfaces) ● Working temperature: 0–50°C ● Relevant humidity: 10%–90% RH (non-condensing) ● Lightning protection level (service interface/ power interface): 6 kV in common mode 			<ul style="list-style-type: none"> ● Single power ● Working temperature: 0–50°C ● Relevant humidity: 10%–90% RH (non-condensing) ● No lightning protection ● 2 kV in common mode 	
Packet forwarding	<ul style="list-style-type: none"> ● MTU (12K) ● DLF control 				
MAC	<ul style="list-style-type: none"> ● MAC address table (16 K), static MAC address table (1024) ● MAC learning based on vlan ● Blackhole MAC ● MAC addresses limits based on the interface ● Port security MAC 				
VLAN	<ul style="list-style-type: none"> ● Dot1Q (4094 VLANs) ● Basic QinQ, flexible QinQ, protocol-based VLAN ● VLAN mapping (1:1, inner and outer VLAN mapping) ● GVRP 				
L2 multicast	<ul style="list-style-type: none"> ● L2 multicast table (1K), static L2 multicast table (1K) 				

International Headquarters

East-11, Raisecom Building, No.10 Xibeiwang East Road,
Haidian District, Beijing. 100094, China

Tel: +86 10 8288 3305

Fax: +86 10 8288 3056

www.raisecom.com

U.S.A. Headquarters

3031 north Rocky point Drive West Harborview
Building, Suite 100 Tampa Florida. 33607. USA.

Tel: +1 888 816 4808 ext 201

Fax: +1 727 547 9124

Email: ussales@raisecomusa.com

Raisecom Technology Co., Ltd.

Copyright@1999-2014

All rights reserved

Technical information is subjected to
change without notice



	<ul style="list-style-type: none">● IGMPv1, v2, v3 protocol● IGMP Snooping● IGMP VLAN copy● IGMP Proxy● IGMP Filter
ACL	<ul style="list-style-type: none">● MAC ACL (400), IP ACL (400), IPv6 ACL (128)● User defined ACL (128)● ACL combination based on VLAN/CoS/MAC/EtherType/IP/L4 protocol
QoS	<ul style="list-style-type: none">● Trust mode: port-priority/CoS/ DSCP/ ToS● Priority mapping: cos-mapping/dscp-mapping/tos-mapping/dscp-mutation-mapping/cos-remark-mapping● Scheduling (8 queue/port): SP/WRR/SP+WRR/DRR/SP+DRR● Congestion control: Tail Drop/RED● Policy (action: marking, mirror, statistic, policer)● Shaping: per port/queue● Bandwidth guarantee: CIR/CBS/EIR/EBS, MEF/RFC 4115, color aware● CAR: based on ingress (128)● HCAR: based on ingress● Performance statistic: based on ingress (64)
Security	<ul style="list-style-type: none">● AAA: user, DOT1X (based on port or MAC), RADIUS, TACAS+● PPPOE+● DAI and IPSG● Storm control: broadcast, multicast, DLF
Reliability	<ul style="list-style-type: none">● LACP (max groups = port number/2,max member = down link number)● MLACP● STP, RSTP, MSTP, MRSTP● Interface backup● Loop detection● G.8032 v1/v2 (16 devices per ring, < 50ms)
IPv4	<ul style="list-style-type: none">● Vlanif (16)● Vlanif IPv4 address (1 master,1 slave)● ARP IPV4 (1K), static ARP IPV4 (256)● DHCP Client, DHCP Snooping, DHCP Option (61, 82)● Proxy ARP
IPv6	<ul style="list-style-type: none">● ARP IPV6 (512), static ARP IPV6 (128)● NDP● RA Snooping● DHCPv6 Option (18,37)● MLD Snooping
Route v4/v6	<ul style="list-style-type: none">● IPv4 static/default routing (64)

International Headquarters

East-11, Raisecom Building, No.10 Xibeiwang East Road,
Haidian District, Beijing. 100094, China

Tel: +86 10 8288 3305

Fax: +86 10 8288 3056

www.raisecom.com

U.S.A. Headquarters

3031 north Rocky point Drive West Harborview
Building, Suite 100 Tampa Florida. 33607. USA.

Tel: +1 888 816 4808 ext 201

Fax: +1 727 547 9124

Email: ussales@raisecomusa.com

Raisecom Technology Co., Ltd.

Copyright@1999-2014

All rights reserved

Technical information is subjected to
change without notice



	<ul style="list-style-type: none"> ● IPv6 static/default routing (32)
OAM	<ul style="list-style-type: none"> ● IEEE802.3ah EFM ● IEEE802.1ag CFM (512MA, 512LMEP, 2K RMEP) ● ITU-T Y.1731 (LM/DM/SLM) ● L1 loopback, L2 loopback (swap MAC) ● L2/L3 SLA ● IPv4/v6 Ping/Traceroute
MEF	<ul style="list-style-type: none"> ● MEF 9 and 14 ● Compliant with MEF2.0 including E-Line, E-LAN, E-Tree and E-Access
System management	<ul style="list-style-type: none"> ● Console CLI, SNMPv1/v2/v3, telnet (10 sessions), SSHv1/v2 (10 sessions), WEB ● RMON ● LLDP, LLDP-MED ● DDM ● Alarm management, syslog management ● Automatical configuration ● Mirror (based on port or flow, 2 groups) ● RSPAN ● Backup system

Compliances >>

Management MIB	<ul style="list-style-type: none"> 802-1x-2004-MIB DISMAN-PING-MIB DOT3-OAM-MIB IEEE8021-CFM-MIB81 RFC1213 RFC1493 RFC1757 RFC1907 RFC2233 RFC2571 RFC2572 RFC2573N RFC2573P RFC2573T RFC2574 RFC2575 RFC2665 RFC2674P RFC4363Q 	Standards & protocols	<ul style="list-style-type: none"> IEEE802.3 IEEE802.3u IEEE802.3ad Link Aggregation IEEE802.1p IEEE802.1Q VLAN IEEE802.1ad QinQ IEEE802.1D Spanning Tree Protocol IEEE802.1w RSTP IEEE802.1s MSTP IEEE802.1x Security IEEE802.3ah OAM IEEE802.1ag CFM ITU-T Y.1731 Services OAM ITU-T G.8031 ELPS ITU-T G.8032 ERPS IGMP v1/v2/v3 SNMPv1/v2c/v3 MEF 9 & MEF 14
-----------------------	--	----------------------------------	---

International Headquarters

East-11, Raisecom Building, No.10 Xibeiwang East Road, Haidian District, Beijing. 100094, China

Tel: +86 10 8288 3305

Fax: +86 10 8288 3056

www.raisecom.com

U.S.A. Headquarters

3031 north Rocky point Drive West Harborview Building, Suite 100 Tampa Florida. 33607. USA.

Tel: +1 888 816 4808 ext 201

Fax: +1 727 547 9124

Email: ussales@raisecomusa.com

Raisecom Technology Co., Ltd.

Copyright@1999-2014

All rights reserved

Technical information is subjected to change without notice



Ordering Information >>

ISCOM2608G-2GE-AC/DC	Support eight 10/100/1000 Mbit/s RJ45 downlink interfaces. Support two 1000 Mbit/s Combo RJ45 uplink interfaces. Support the console interface, SNMP interface, and out-of-band network management. Support single 220 VAC power/single -48 VDC power.
ISCOM2624G-4GE-AC/DC	Support twenty-four 10/100/1000 Mbit/s RJ45 downlink interfaces. Support four 1000 Mbit/s Combo uplink interfaces. Support the console interface, SNMP interface, and out-of-band network management. Support single 220 VAC power/single -48 VDC power.
ISCOM2648G-4GE-AC/DC	Support forty-eight 10/100/1000 Mbit/s RJ45 downlink interfaces. Support four 1000 Mbit/s Combo uplink interfaces. Support the console interface, SNMP interface, and out-of-band network management. Support single 220 VAC power/single -48 VDC power.
ISCOM2624G-4C-AC/DC	Support twenty-four 10/100/1000 Mbit/s RJ45 downlink interfaces. Support four 10 Gbit/s SFP+ uplink interfaces. Support the console interface, SNMP interface, and out-of-band network management. Support single 220 VAC power/single -48 VDC power.
ISCOM2648G-4C-AC/DC	Support forty-eight 10/100/1000 Mbit/s RJ45 downlink interfaces. Support four 10 Gbit/s SFP+ uplink interfaces. Support the console interface, SNMP interface, and out-of-band network management. Support single 220 VAC power/single -48 VDC power.

International Headquarters

East-11, Raisecom Building, No.10 Xibeiwang East Road,
Haidian District, Beijing. 100094, China

Tel: +86 10 8288 3305

Fax: +86 10 8288 3056

www.raisecom.com

U.S.A. Headquarters

3031 north Rocky point Drive West Harborview
Building, Suite 100 Tampa Florida. 33607. USA.

Tel: +1 888 816 4808 ext 201

Fax: +1 727 547 9124

Email: ussales@raisecomusa.com

Raisecom Technology Co., Ltd.

Copyright@1999-2014

All rights reserved

Technical information is subjected to
change without notice